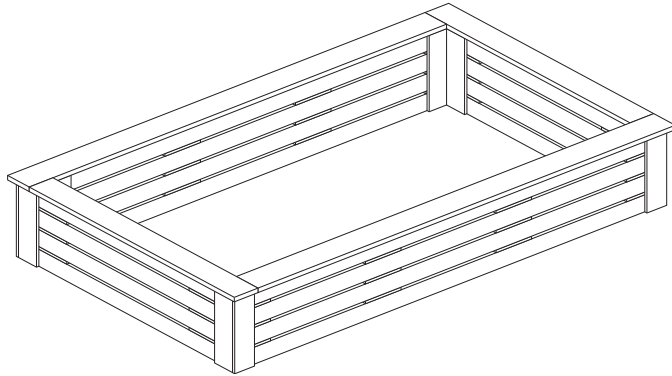


Raised Planter 6'x3'

English SS285

Help Line (Normal Office Hours) 01829 261 121

Assembly Instructions



Before assembly

- We recommend that time is taken to read the instructions before starting assembly, then follow the easy step by step guide. The instruction sheet is only a guide to the assembly. Certain items may not be shown to scale.
- Check all components prior to assembly
- This product should be assembled by no less than two people.

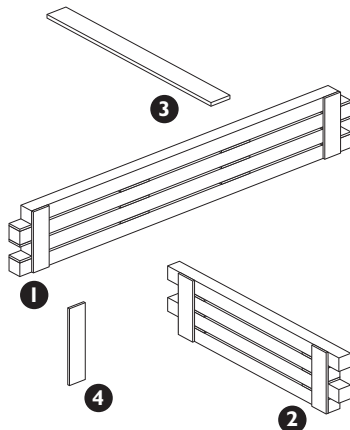


Recommended tools for assembly

- Hammer

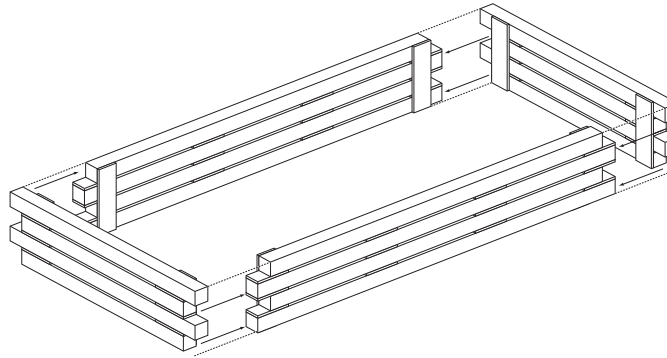
No.	Components	Qty.
1	Front/back panel	2
2	Side panel	2
3	Corner board	8
4	Top board	4

No.	Fixing Kit	Qty.
5	50mm nails	30
6	35mm nails	64



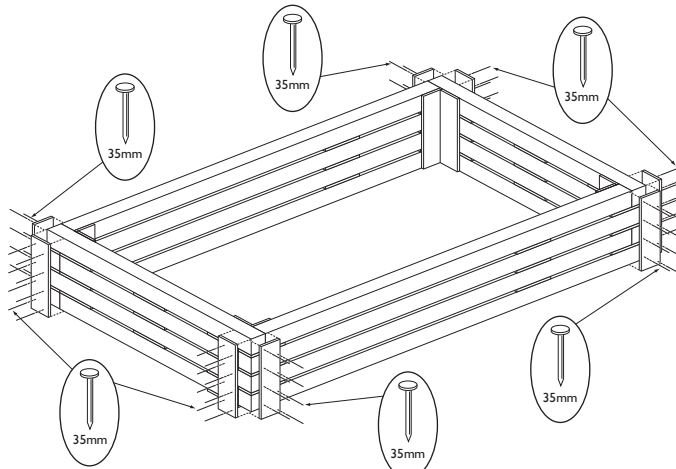
1. Side panels

Interlock the side panels.



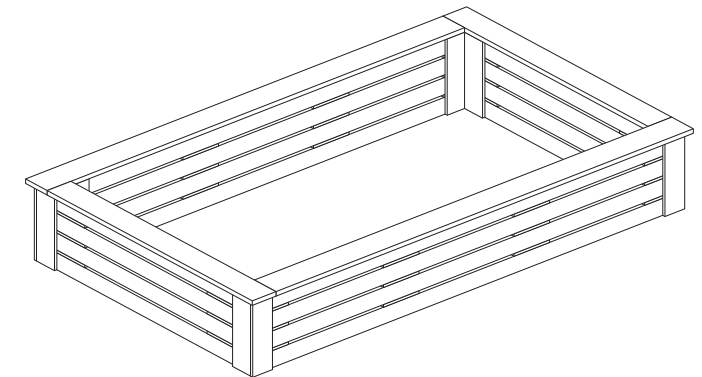
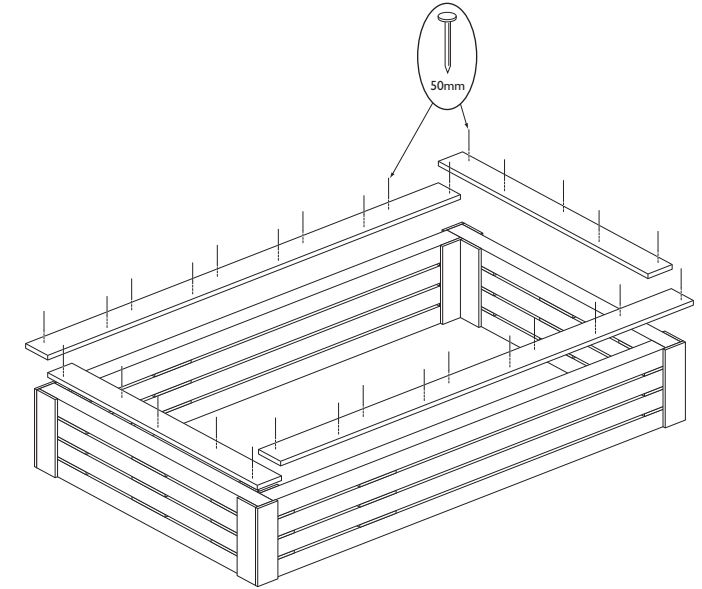
1. Corner boards

Nail on each corner boards using 8 x 35mm nails per strip.



3. Top boards

Nail the top boards on evenly around the top of the assembly using 10 x 50mm nails per board.



We constantly improve the quality of our products, occasionally the components may differ from the components shown and are only correct at time of printing. We reserve the right to change the specification of our products without prior notice.

2012 © Rowlinson Garden Products Ltd